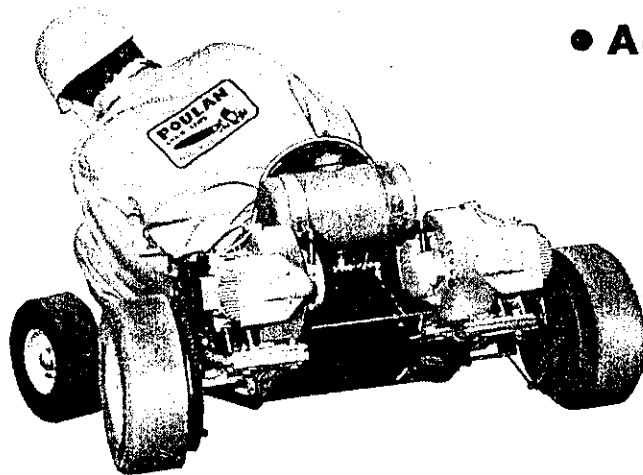


# POULAN

## KART ENGINE S-200

- Parts Lists
- Parts Drawings
- Accessories



SUBSIDIARY OF BEAIRD-POULAN INC.

P. O. BOX 9066 • SHREVEPORT, LOUISIANA

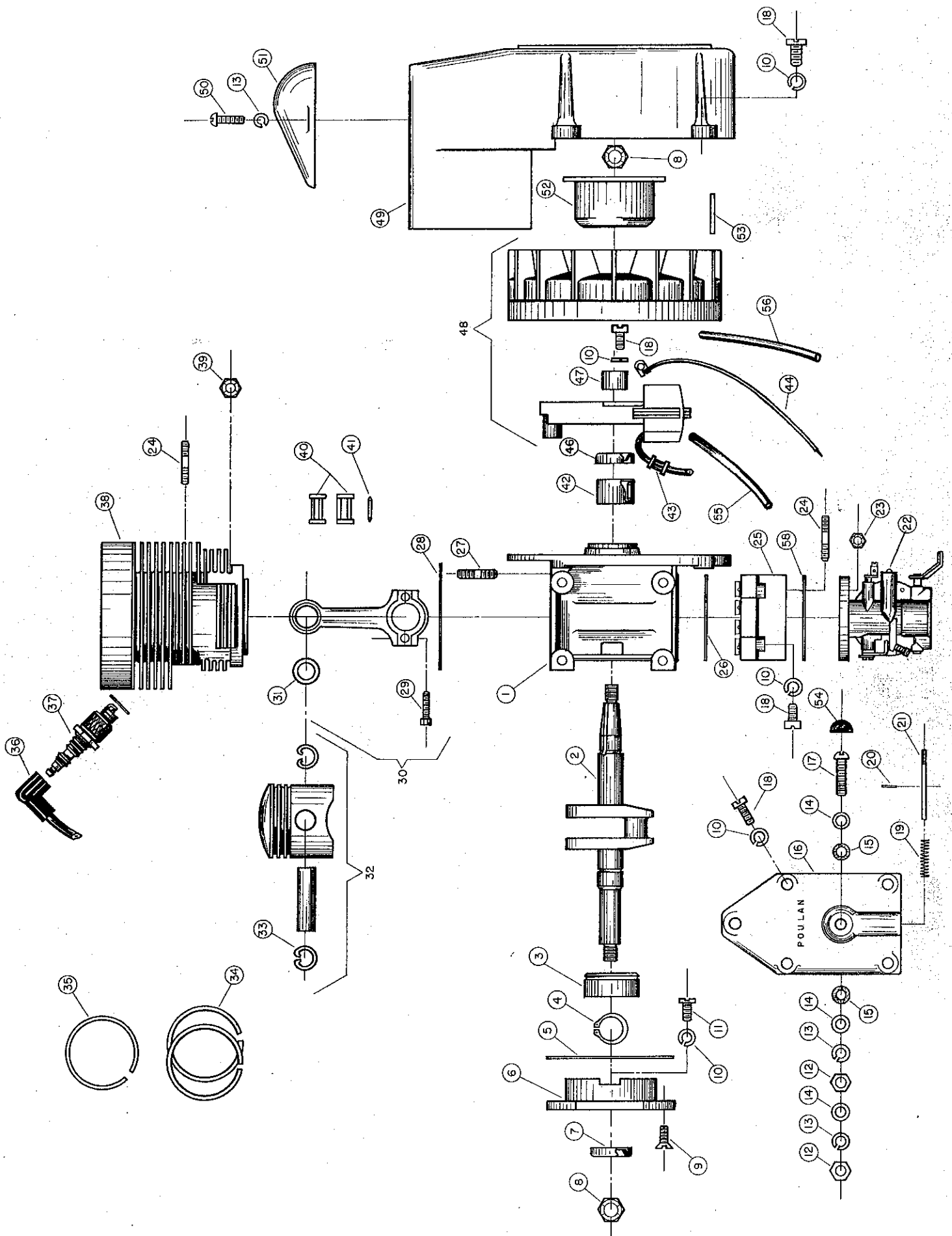
POULAN KART ENGINE  
(S 200)

-- PARTS ORDERING --

When ordering replacement parts, it is important to give the following information.

1. The model and serial number of your motor.
2. The part number, description and quantity required.
3. Complete and detailed shipping instructions.

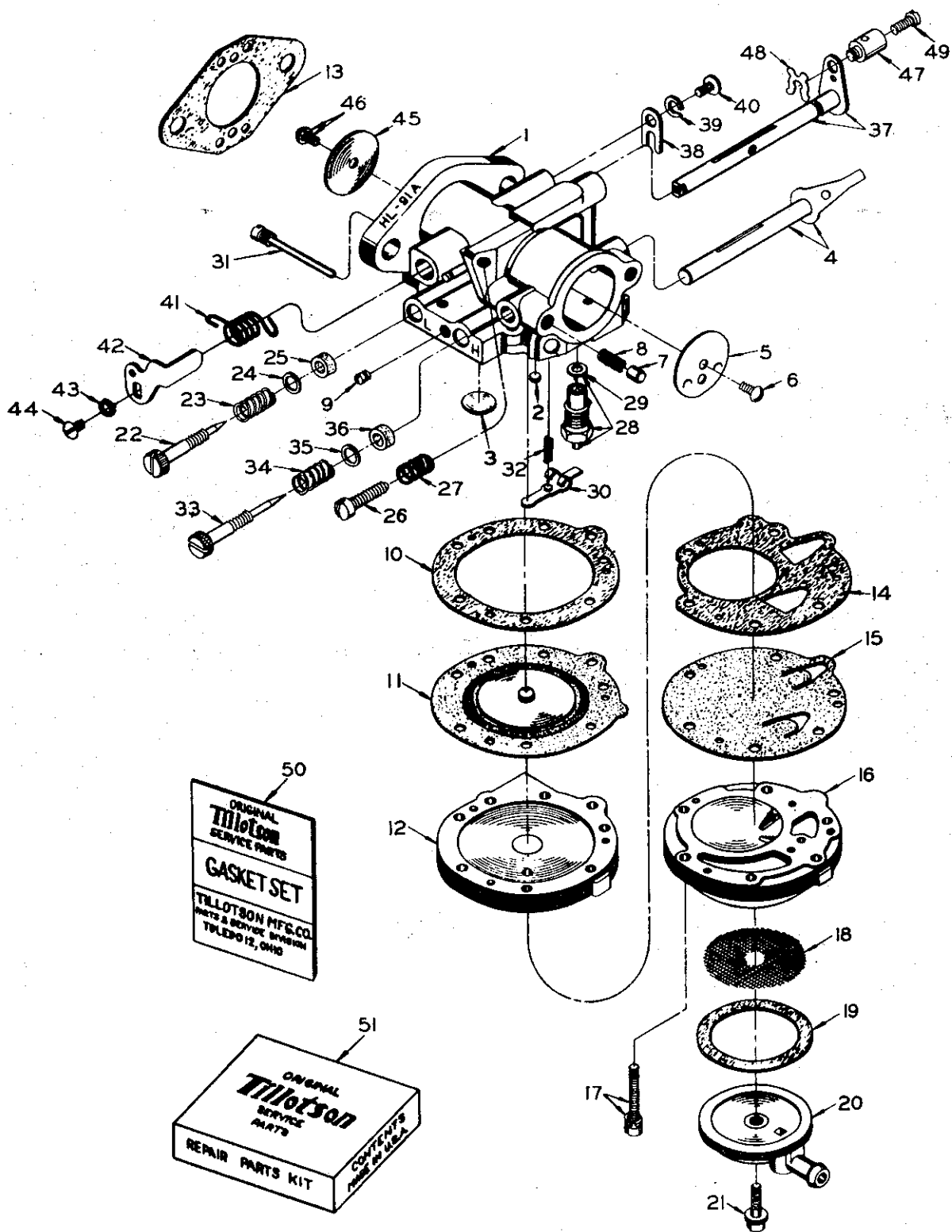
Refer to price list for list prices of complete units and parts.



# POULAN CHAIN SAWS - PARTS LIST

<u>REF. NO.</u>	<u>PART NO.</u>	<u>NO. REQ'D.</u>	<u>DESCRIPTION</u>
1	S2 174	1	Crankcase
2	S2 176	1	Crankshaft
3	H 179	1	Bearing
4	H 177	1	Ring, Retaining
5	S2 258	1	Gasket, Bearing Cover
6	S2 256	1	Carrier, Bearing
7	F 192	1	Seal, Crankshaft
8	B 185	2	Nut, Crankshaft
9	B 128	6	Screw, bearing carrier
10	24304	17	Washer, Lock - 2 Bearing Screw, 4 Reed Mnt., 5-Switch Plate Mnt., 2 Stator Plate, 4 Fan Housing Mnt.
11	F 201	2	Screw, Bearing Retaining
12	B 263	2	Nut, Stop Button
13	197	4	Washer, Lock, 2-Stop Button 2-Spark Plug Cover
14	A 565	3	Washer, Stop Button
15	H 245	2	Washer, Insulator
16	S2 170	1	Switch Plate
17	F 106	1	Screw, Stop Button
18	24168	15	Screw - 5-Switch Plate, 4-Reed Mnt. 2-Stator Plate Mnt., 4-Fan House Mnt.
19	H 251	1	Spring Stop Button
20	H 832	1	Pin, Stop Button
21	S 253	1	Shaft, Stop Button
22	S 400	1	Carburetor
23	44207A	2	Nut, Carburetor Mnt.
24	A 218	4	Stud, 2-Carburetor Mnt. 2 Muffler Mnt.
25	S 808	1	Reed Valve
26	H 804	1	Gasket Reed Valve Mnt.
27	B 218	4	Stud, Cylinder Mnt.
28	A 212	1	Gasket, Cylinder Mnt.
29	A 246	2	Screw Con. Rod
30	H 240	1	Rod, Con. Assy.
31	F 242	1	Bearing, Con. Rod
32	S 234	1	Piston Assembly
33	24236	2	Ring, Piston Retaining
34	S 238	2	Ring, Piston
35	S 238-C	1	Ring, Piston (Top Groove)
36	F 380	1	Lead, High Tension
37	10C	1	Spark Plug
38	S 204	1	Cylinder
39	44207	4	Nut, Cylinder Mnt.
40	H 243	1 set	Cage, Bearing Carrier
41	H 244	14	Bearing, Con. Rod
42	F2 255	1	Bearing
43	24320	2	Grommet, ground and high tension lead
44	F 328	1	Wire - Stop Button
46	F2 192	1	Seal - Crankshaft (Starter Side)
47	S 316	1	Cam - Magneto
48	S 300	1	Magneto
49	S2 168	1	Shroud, Fan
50	44370	2	Screw, Spark Plug Cover
51	S 206	1	Cover, Spark Plug
52	K 167	1	Cup Starter
53	S 188	1	Key - Rotor Retaining
54	S 245	1	Insulator
55	S 330	1	Tube, lead wire
56	S 329	1	Tube, killer wire
58	24486	1	Gasket - Carb. to Reed

# POULAN CHAIN SAWS - PARTS



50  
ORIGINAL  
**Tillotson**  
SERVICE PARTS  
**GASKET SET**  
TILLOTSON MFG. CO.  
PARTS & SERVICE DIVISION  
TOLEDO 12, OHIO

51  
ORIGINAL  
**Tillotson**  
SERVICE  
PARTS  
**REPAIR PARTS KIT**  
CONTENTS  
MADE IN U.S.A.

# POULAN CHAIN SAWS - PARTS LIST

REF. NO.	PART NO.	NO. REQ'D.	DESCRIPTION
	S 406	1	Carburetor & Pump Assy. complete
1	S 402	1	Body (Service)
2	B 403	1	* Body Channel Cup Plug
3	B 404	1	* Body Channel Welch Plug
4	S 412	1	Choke Shaft & Lever
5	A 413	1	Choke Shutter
6	A 453	1	Choke Shutter Screw & Lockwasher
7	44410	1	Choke Friction Pin
8	A 416	1	Choke Friction Pin Spring
9	A 410	1	Diaphragm Chamber Drain Screw
10	B 418	1	Diaphragm Gasket
11	B 417	1	* Diaphragm
12	B 460	1	Diaphragm Cover
13	24486	1	Flange Gasket
14	B 464	1	Fuel Pump Gasket
15	B 465	1	* Fuel Pump Diaphragm
16	B 466	1	Fuel Pump Body
17	A 467	6	Fuel Pump Body Screw & Lockwasher
18	B 425	1	* Fuel Strainer Screen
19	B 458	1	Fuel Strainer Cover Gasket
20	B 459	1	Fuel Strainer Cover
21	B 461	1	* Fuel Strainer Cover Ret. Screw
22	S 420	1	* Idle Adjustment Screw
23	A 421	1	* Idle Adjustment Screw Spring
24	S 422	1	* Idle Adjustment Screw Washer
25	S 421	1	Idle Adjustment Screw Packing
26	44442	1	* Idle Speed Regulating Screw
27	44444	1	* Idle Speed Regulating Screw Spring
28	B 427	1	* Inlet Needle, Seat & Gasket
29	A 428	1	Inlet Seat Gasket
30	B 429	1	* Inlet Control Lever
31	B 430	1	* Inlet Control Lever Pinion Pin
32	B 433	1	* Inlet Tension Spring
33	S 454	1	* Main Adjustment Screw
34	A 421	1	* Main Adjustment Screw Spring
35	S 422	1	* Main Adjustment Screw Washer
36	S 421	1	Main Adjustment Screw Packing
37	S 445	1	Throttle Shaft & Lever (Incl. Ref. 47, 48, 49)
38	A 447	1	Throttle Shaft Clip
39	24440	1	Throttle Shaft Clip Lockwasher
40	A 449	1	Throttle Shaft Clip Ret. Screw
41	B 470	1	* Throttle Shaft Return Spring
42	B 455	1	Throttle Stop Lever
43	B 451	1	* Throttle Lever Lockwasher
44	B 450	1	* Throttle Lever Ret. Screw
45	44472	1	Throttle Shutter
46	A 453	1	* Throttle Shutter Screw & Lockwasher
47	KT455	1	Throttle Wire Connection
48	KT448	1	Throttle Wire Conn. Clip Washer
49	KT450	1	* Throttle Wire Ret. Screw
50	S 484	1	* GASKET & PACKING SET
51	S 486	1	REPAIR PARTS KIT

(\*) Indicates contents of Repair Parts Kit

ACCESSORY KIT FOR POULAN S-200 KART ENGINE

<u>Part No.</u>	<u>*No. Req'd</u>	<u>Description</u>
S2 202L	1	Accessory Kit
S2 202R	1	Accessory Kit

CONTENTS OF KITS

<u>Part No.</u>	<u>*No. Req'd</u>	<u>Description</u>
197	4	Washer
24304	8	Washer
24359A	2	Screws - Air Horn to Carburetor
44207	2	Nuts - Muffler Mount
44370	2	Screw
A 116	1	Gasket - Muffler Mount
B 257	4	Screw - Mounting Plate
B 604	4	Screw - Starter Mounting
B 861	1	Filter Element
S 104	1	Mounting Base
S 106	4	Screw - Mounting base to Engine
S 138	1	Key - Crankshaft
S 500	1	Clutch Drum & Sprocket Assembly
S 861-1	2	Gasket - Filter
S2 111	1	Muffler
S2 603	1	Starter Mounting Bracket
S2 810	1	Horn - Air
S2 812	1	Air Horn Cover

\*Number of parts required for attaching to engine.

Instructions for reversing rotation of S-200 Kart engine from counter clockwise to clockwise rotation with engine removed from mounting bracket.

1. Remove S 170 switch plate and disconnect grounding wire F.328.
2. Remove S 168 fan shroud.
3. Remove S 310 magneto rotor.
4. Remove high tension S 380 lead wire from either the magnetic coil or spark plug cover.
5. Pull both B 328 grounding wire out of hole in crankcase and S 380 high tension wire out of grommet. Change grommet to corresponding hole on opposite side of crankcase (side opposite magneto). Insert high tension lead through grommet - run grounding wire through hole on other side of crankcase - re-connect both leads.
6. Remove cam S 316 and key S 188. Reverse cam and replace, putting key in righthand key seat.
7. Move F 332 stator plate to full advance position for clockwise rotation - tighten stator screw (24168) and set points to .020.
8. Replace rotor, K 167 starter cup and then tighten B 185 nut securely.
9. Remove starter F 600 from fan shroud.
10. Dismantle starter and re-assemble with spring (B617), rope (B624), and Friction Plate Assembly (B621) in reverse position.
11. Remount starter on fan shroud so starter handle B 619 will be in vertical position with fan shroud on engine.
12. Remount fan shroud to engine.
13. Re-connect grounding wire F 328 to switch plate S 170 and mount switch plate on crankcase. Switch plate should be on opposite side of crankcase from its original position.
14. Remove reed plate screws (24168) and turn reed plate with carburetor assembly 180 degrees and replace.

Call or write the Distributor nearest you for the name of your local  
Poulan Chain Saw and Kart Engine Dealer

Air Cooled Motor Co.  
Ponchatoula, La.  
Phone: 6445

Alcan Mchy & Equip. Co.  
126-15 37th Avenue  
Corona, L. I., N. Y.  
Phone: Newtown 9-7080

Asheville Boat & Saw, Inc.  
Canton Road  
Asheville, N. C.  
Phone: Mohawk 7-1548

Atlas Sales & Service  
4892 N. High St.  
Columbus, Ohio  
Phone: AM 2-7381

B & S Sales Company  
2207 Birmingham Ave.  
Jasper, Ala.  
Phone: Fulton 4-6693

Baker's Sales & Service  
Barneveld, N. Y.  
Phone: Twinoakes 6-2802

Browning Belting Co.  
801 E. Jackson  
Knoxville, Tenn.  
Phone: 3-9101

Buhrman & Sons, Inc.  
Hermitage & Overbrook Rd.  
Richmond, Va.  
Phone: Elgin 8-6776

Addison M. Burt  
106 Jefferson St.  
Washington, Ga.  
Phone: Osborn 8-2710

Bush Service Center  
6th St. & Linden  
Pine Bluff, Ark.  
Phone: Jefferson 4-7538

Carter Saw Shop  
1408 Cuba Road  
Mayfield, Ky.  
Phone: Chapel 7-2848

Chain Saw Dist. Co.  
2736 Monroe Road  
Charlotte, N. C.  
Phone: ED 3-4566

Claxton Saw Company  
East Main  
Claxton, Ga.  
Phone: 526

Crunkleton Company  
2701 Shenandoah Ave., N.W.  
Roanoke, Va.  
Phone: DI 3-4898

Jack Dayton & Son  
Shelby & Main St.  
Louisville, Ky.  
Phone: JU 3-0262

Deville Saw Company  
719 McArthur Drive  
Alexandria, La.  
Phone: Hillcrest 2-3930

Howard Estes Saw & Mch Co.  
215 - 4th Avenue South  
Nashville, Tenn.  
Phone: Alpine 6-4516

Forestry Equipment Co.  
4385 Pio Nono Ave.  
Macon, Ga.  
Phone: Sherwood 2-2471

Franklin Auto Supply  
217 E. Second Ave.  
Franklin, Va.  
Phone: Logan 2-4182

J. P. Fuller  
1812 Crain Hwy  
Glen Burnie, Md.  
Phone: Southfield 6-5120

Fulton Company, Inc.  
327 Hwy 1 South  
Greenville, Miss.  
Phone: ED 2-1763

Gates Saw Company  
P. O. Box 733  
Conroe, Texas  
Phone: Pleasant 6-2352

Gay-Murray Co., Inc.  
50 No. Bridge St.  
Tunkhannock, Pa.  
Phone: TE 6-8111

Genesee Boat & Mtr Co.  
490 West Main St.  
Batavia, N. Y.  
Phone: 2345

Greenwood Saw Co.  
P. O. Box 12  
Greenwood, S. C.  
Phone: Orchard 8-6361

Grider Motor Co.  
Russell Springs, Ky.  
Phone: Union 6-7631

Carl Heifner  
East 3rd St.  
Farmville, Va.  
Phone: Export 2-3174

Horton Sales Co.  
610 Independence  
Cape Girardeau, Mo.  
Phone: ED 5-3301

Hunter Power Saw Co.  
P. O. Box 702  
Texarkana, Texas  
Phone: 33-2101

Huss Sales & Service  
1927-1929 Starr Ave.  
Toledo 5, Ohio  
Phone: Oxford 1-3509

Independent Dist. Co.  
923 South Eighth St.  
St. Joseph 26, Mo.  
Phone: Adams 4-7425

(cont.)

POULAN DISTRIBUTORS (cont.)

Indiana Lawn Supply  
P. O. Box 375  
Rochester, Ind.  
Phone: Capital 3-3715

Jonesboro Lock & Key Wks  
304 Gee Street  
Jonesboro, Ark.  
Phone: WE 2-2555

K. B. Sales Co.  
Rt. 3, Box 1  
Natchez, Miss.  
Phone: 9871

Carl R. Kenyon  
Route 28  
Warrensburg, N. Y.  
Phone: 4821

Carlton Loomis  
Brackett Lake Road  
Bainbridge, N. Y.  
Phone: Worth 7-2076

McComb Supply Co.  
Harlan, Ky.  
Phone: 361

Miller Power Saw Co.  
P. O. Box 3157  
Tyler, Texas  
Phone: LY 2-4701

Newell's Saw Shop  
405 No. Kerr Ave.  
Wilmington, N. C.  
Phone: Roger 3-5256

Nunnery-Freeman Saw Co.  
Norlina Road  
Henderson, N. C.  
Phone: GE 8-3149

Overstreet Service  
Thomasville, Ala.  
Phone: ME 6-4633

Palatka Chain Saw Dist. Co.  
19th & Madison  
Palatka, Fla.  
Phone: East 5-5667

Parrott Saw Co.  
1118 Roanoke Ave.  
Roanoke Rapids, N. C.  
Phone: Jefferson 7-3985

Robert D. Peffer  
P. O. Box 14  
Harmony, Pa.  
Phone: Zelenople 1598

Peglars, Inc.  
1601 Cowart  
Chattanooga, Tenn.  
Phone: AM 6-2179

Hayward Pritchett  
P. O. Box 37  
Waverly Hall, Ga.  
Phone: 2-951

Razor-West Dist. Co.  
502 E. Central  
Miami, Okla.  
Phone: KI 2-9600

Reynolds Sporting Goods  
312 E. Wood St.  
Paris, Tenn.  
Phone: 65

Ripley Saw Company  
Ripley, Miss.  
Phone: 7638

Shillingsford & Tyler  
P. O. Box 177  
Hummels Wharf, Pa.  
Phone: Selinsgrove -  
Shadyside 3-4475

Southern Chain Saw Eq.  
1296 Sylvan Road, S.W.  
Atlanta, Ga.  
Phone: Plaza 3-9575

Southern Saw Co.  
4623 Greenwood Road  
Shreveport, La.  
Phone: ME 1-4231

Southern Saw & Mower Dist.  
122 E. 11th Street  
Laurel, Miss.  
Phone: 5066

Thelin's Store  
R. D #1, Cobham Park Rd.  
Warren, Pa.  
Phone: RA 3-9833

Vince A. Thigpen, Dist.  
P. O. Box 567  
Swainsboro, Ga.  
Phone: BE 7-8729

Thompson Saw Co.  
Telogia, Fla.

Tinklepaugh Equip. Co.  
Livingston, N. Y.  
Phone: Germantown 279

Waldrep Chain Saw Co.  
921 Bankhead Ave.  
Carrollton, Ga.  
Phone: Terrace 2-6245

West Virginia Tractor &  
Equipment  
N. Y. Central RR & Patrick  
Charleston, W. Va.  
Phone: DI 6-5301

Wisconsin Power Equip, Inc.  
1605 W. Wisconsin Ave.  
Appleton, Wisc.  
Phone: RE 4-1404

J. C. Wood & Son  
P. O. Box 240  
Jasper, Texas  
Phone: Dudley 4-4472

York Saw Company  
P. O. Box 156  
York, Ala.  
Phone: 358-W